

AIR-SUSPENSION

Dunlop Systems and Components
Het Wegdam 22
7496 CA Hengevelde
The Netherlands
Tel.: +31-547-333065
Fax: +31-547-333068
Website: www.dunlopsystems.com

Auxiliary Air Suspension

Art. nr.: L.DOBLO.CM

Designed for:
Fiat Doblo



From: 2001 & UP

1. Introduction

This air suspension kit has been especially developed for the Fiat Doblo. To ensure the correct installation of the air suspension, we strongly recommend to read these instructions thoroughly before commencing any installation work. All components are supplied with bolts, washers and nuts. The installation should only be carried out by a suitably qualified mechanic/ installation company. We will not accept responsibility for faults or defects arising from incorrect installation and such action will render the guarantee void.

**Do not forget to send a copy of the complete filled out manufacturers declaration by post, fax or e-mail to Dunlop Systems and Components, after installing this kit.
Signed by a qualified installer.**

Artikel number:

L.DOBLO.C.M. - Auxiliary air suspension

Index

1. Introduction	2.
2. Installation of brackets and air bellows	3.
3. Connecting air hose to;	
•Valves (standard)	
•Valves and gauges (optional)	3.
4. Operation	4.
5. Maintenance	4.
6. Completion	6.

2. Installation of brackets and air bellows.

Ensure you have enough space between chassis and the rear axle to provide the installation. If needed use a jack. Install one side first, to avoid mistakes.

Think of your safety first !! Always use axle struts!!!

2a. Upper bracket

Remove the bump stop by turning it counter clockwise. This is the place of the upper bracket. Fix the upper bracket by using the M10 x 1,25 x 30 mm bolt and safety washer.

2b. Under bracket with air bellow

Connect the hose to the air bellows (black is left, blue is right). Tightened by hand and then 1 time around is enough.

Remove both U-bolts and the clamp plate of the leaf spring. Place the air bellow with under bracket on the leaf spring. *Note: air tube on the inside.* (Black hose is left, blue hose is right.) Replace the U-bolts. Torque of the nuts of the U-bolts is 110 Nm. The lips from the bracket will be shaped by the U-bolts. Connect the air bellow on the upper bracket by using the M8 x 16 mm bolts and disk spring washers. Take care the air bellow is accurately aligned.

3. Connecting air hose to;

- **Valves (standard)**

Attach the valves to properly protected and solid but accessible place.

Some examples:

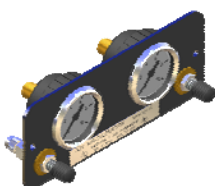


- At the rear on the bumper
- At the rear beside the license plate
- On the side just before a rear wheel on the chassis
- Beside the fuel cap
- Or any other place you prefer

- **Valves and gauges (optional)**

Attach the panel to properly protected and solid but accessible place.

Some examples:

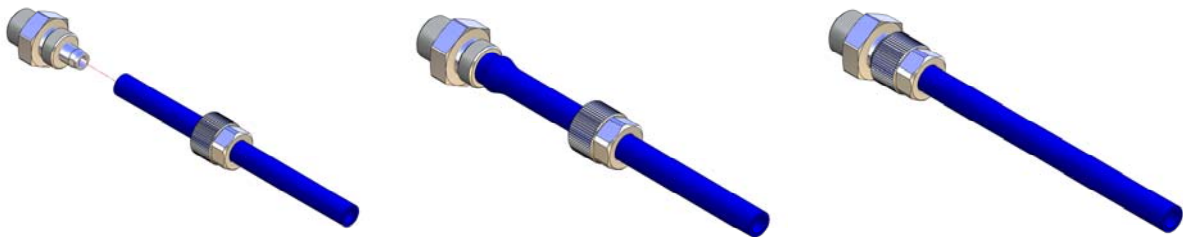


- In the cabin within reach and sight of the driver
- Or any other dry place you prefer

Bring the air tubes to the valves (check; left is black, right is blue) and connect them. Ensure tightened by hand and then 1 total turn is o.k..

Note;

- *guide the air tubes along the brake lines to the chassis, this is the safest way to avoid tearing.*
- *Avoid too tight ty-raps, air hose must stay easily to shift at a ty-rap connection point.*
- *To shorten air tube; cut it straight*



Keep the air tubes away from:

- heat of the exhaust
- debris of dirt & splatter
- obstacles like branches, etc.
- sharp-edges

4. Operation

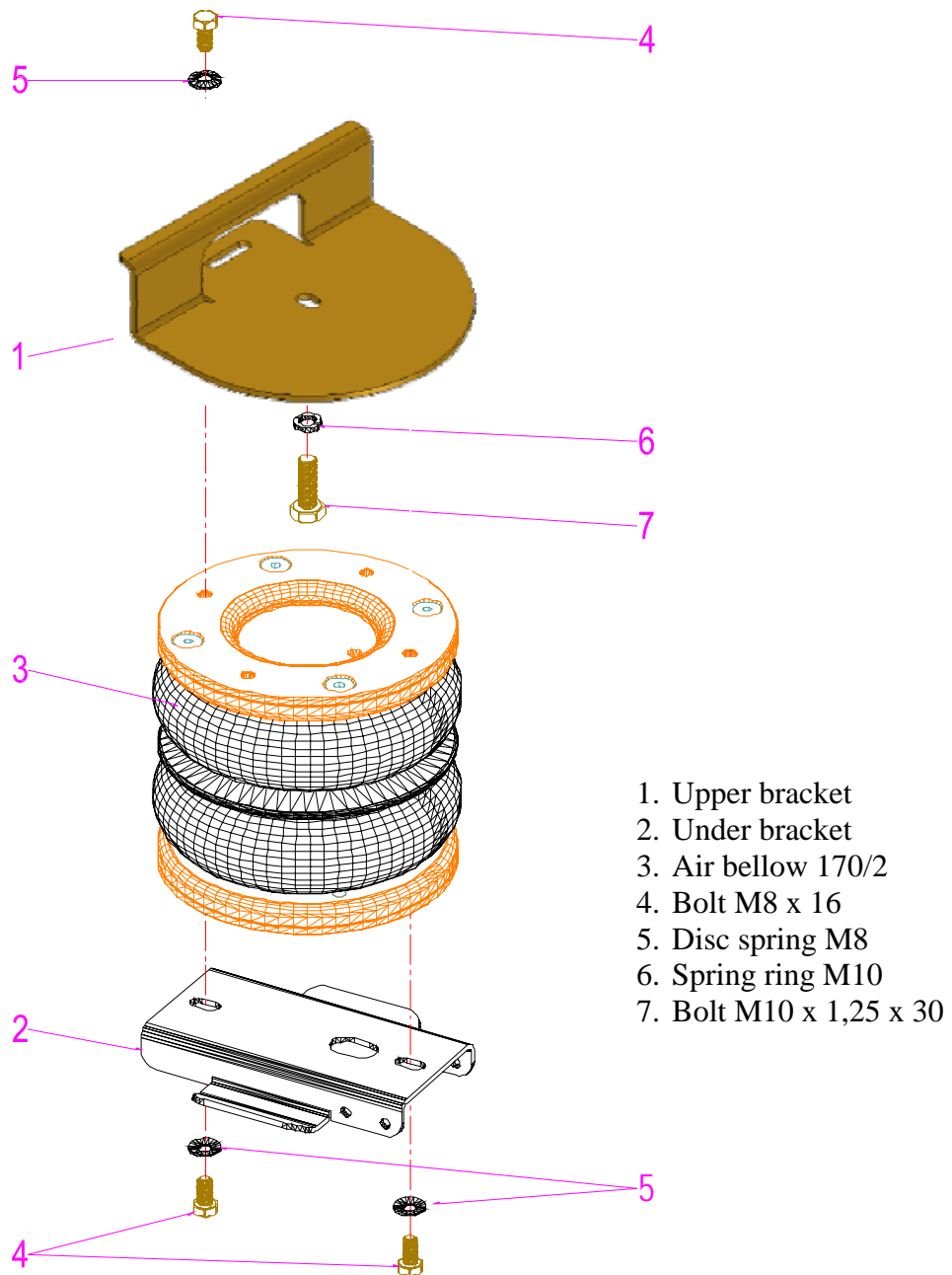
With a normal tire pump you can check the pressure in the tires. The rear of the vehicle should be a little higher than the front.

Important - minimal pressure 0.5 bar.
 - maximal pressure 7.0 bar.

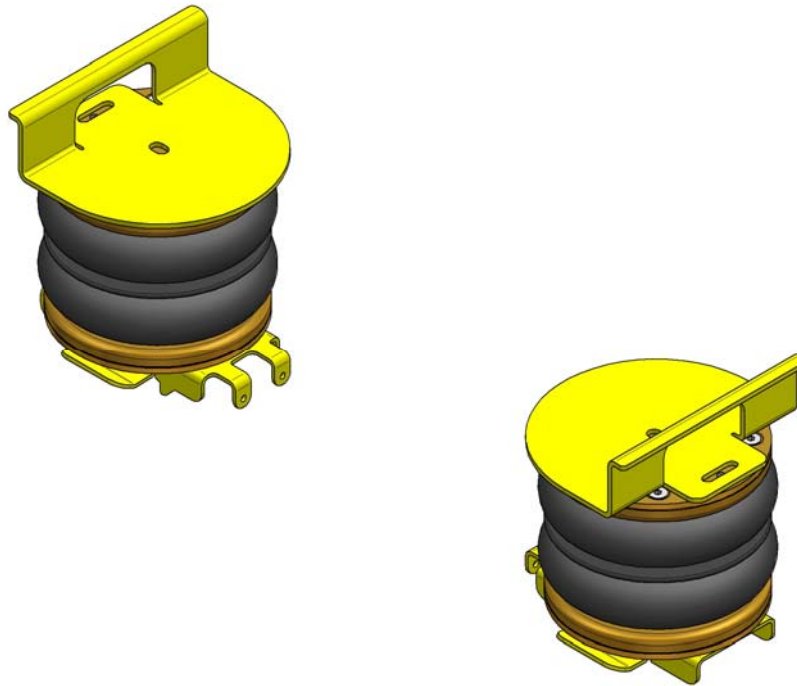
5. Maintenance

After installing, Spray body wax on the steel parts. The air suspension kit does not need much service. Check ones in a while the pressure of the air bellows. If you wash your car also clean your air bellows by spraying off the dirt & debris.

Air suspension kit (left)



Exploded view Air suspension kit.



Over view air suspension kit

6. Completion

Dunlop Systems and Components wishes you a lot of pleasure with our air suspension kit. Ensure proper functioning of our air suspension, we advise to (let) check/ control the system by qualified personnel frequently. It is important to spray all the steel parts with body wax.

Do not forget to send a copy of the complete filled out manufacturers declaration by post, fax or e-mail to Dunlop Systems and Components, after installing this kit. Signed by a qualified installer.

Modifications to the system are only allowed to be done by Dunlop systems and Components. For questions you can always call Dunlop Systems and Components.
Tel. 0031 (0) 547-333065.